

t705 SERIES

FLEXIBLE FLANGE COUPLING SHAFT

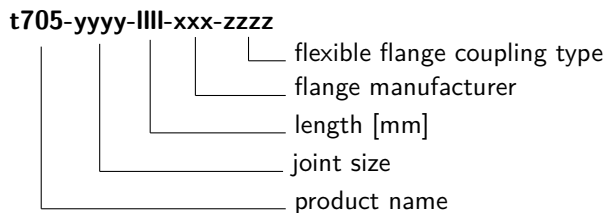


DESCRIPTION

The t705 is a shaft with a constant velocity joint and a flexible coupling flange, which enables a vehicle-like fastening to the gearbox. The shaft is available for various flexible coupling flange types and the CV joint is tailored to the application.

NAMING

The product is named according to the following convention:



Example: *t705-CV05-0300-SGF-GA000-024*

OPERATING RANGE

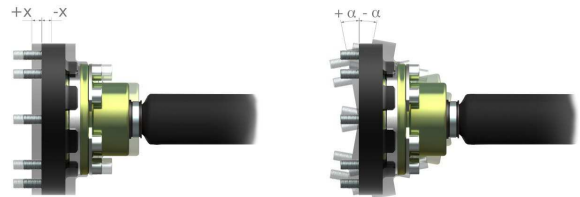
Torque: up to 2500 Nm
Speed: up to 10000 rpm

BENEFITS

- direct docking at gearbox
- vehicle-like fastening
- high speed

FUNCTION

The CV joint takes up the longitudinal, angular and axial displacement without adding any higher order speed or torque fluctuations to the drive train.



Exclusive Representative in Japan

 TOKYO PLANT Co., Ltd.
東京プラント株式会社

515-5 Miyazawa-cho, Akishima city, Tokyo, Japan 196-0024
TEL: +81-42-546-6500 FAX: +81-42-546-6600
Email: sales@tokyo-plant.co.jp

t705 SERIES

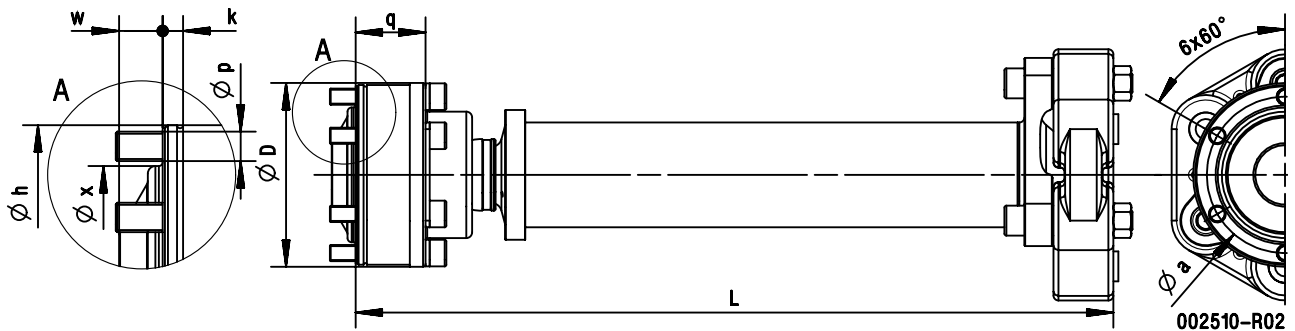
FLEXIBLE FLANGE COUPLING SHAFT

Shaft	Joint	T _{max} [Nm]	n _{max} [rpm]	X [mm]	α [°]	ϑ _{min} [°C]	ϑ _{max} [°C]
t705	CV05	1000	10000	±8	±10	-40	110
	CV10	1500	10000	±6	±10	-40	110
	CV15	2500	10000	±8	±10	-40	110
	CV21	3500	10000	±12	±10	-40	110

T_{max} - Maximum torque
n_{max} - Maximum speed

X - Maximum axial compensation
α - Maximum angular displacement

ϑ_{min} - Minimum operating temperature
ϑ_{max} - Maximum operating temperature



Shaft	Joint	D [mm]	a [mm]	h ^{+0.00} _{-0.05} [mm]	k [mm]	p [-]	q [mm]	w [mm]	x [mm]
t705	CV05	88.40	74	86	10.5	M8	22.80	14.50	65.00
	CV10	96.00	80	94	6.0	M8	33.80	15.00	64.00
	CV15	110.50	94	108	6.0	M10	42.00	14.40	81.00
	CV21	132.00	108	128	6.0	M10	47.90	18.10	90.00

The length L is dependent on the application and is limited by the type of design and maximum speed. Higher speeds are available on request.