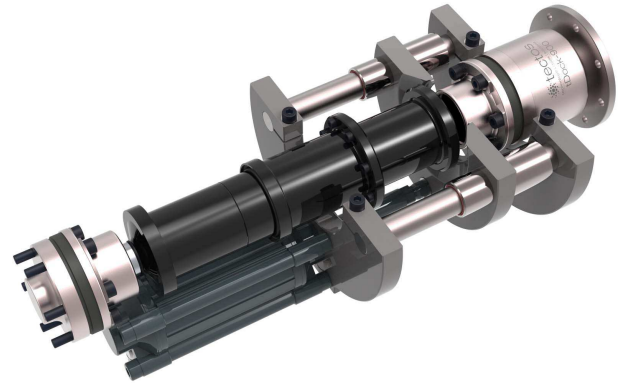


# t720 SERIES

## AUTOMATIC TELESCOPIC SHAFT

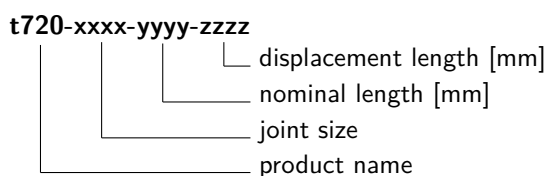


### DESCRIPTION

The t720 is mostly used in combination with an automatic docking system. A special mechanism enables the shaft to be shortened, providing sufficient space for vertical placement of the unit under test. The CV joints provide the t720 telescopic shaft with all advantages associated with the t700 series.

### NAMING

The product is named according to the following convention:



Example: t720-CV05-0356-0431

### OPERATING RANGE

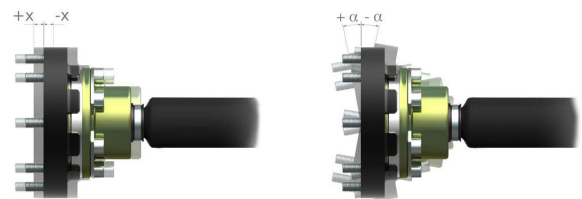
Torque: up to 2500 Nm  
Speed: up to 10000 rpm

### BENEFITS

- large longitudinal compensation
- long life
- low maintenance

### FUNCTION

The CV joint takes up the longitudinal, angular and axial displacement without adding any higher order speed or torque fluctuations to the drive train.



Exclusive Representative in Japan

 TOKYO PLANT Co., Ltd.  
**東京プラント株式会社**

515-5 Miyazawa-cho, Akishima city, Tokyo, Japan 196-0024  
TEL: +81-42-546-6500 FAX: +81-42-546-6600  
Email: sales@tokyo-plant.co.jp

# t720 SERIES

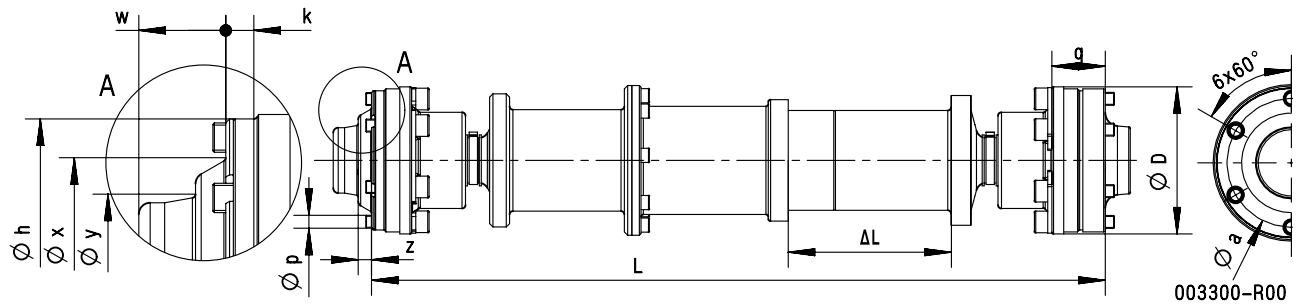
## AUTOMATIC TELESCOPIC SHAFT

Shaft	Joint	$T_{max}$ [Nm]	$n_{max}$ [rpm]	X [mm]	$\alpha$ [°]	$\vartheta_{min}$ [°C]	$\vartheta_{max}$ [°C]
t720	CV05	1000	10000	$\pm 16$	$\pm 10$	-40	110

$T_{max}$  - Maximum torque  
 $n_{max}$  - Maximum speed

X - Maximum axial compensation  
 $\alpha$  - Maximum angular displacement

$\vartheta_{min}$  - Minimum operating temperature  
 $\vartheta_{max}$  - Maximum operating temperature



Shaft	Joint	D [mm]	a [mm]	$h^{+0.00}_{-0.05}$ [mm]	k [mm]	p [-]	q [mm]	w [mm]	x [mm]	y [mm]	z [mm]
t720	CV05	88.4	74	86	10.5	M8	32.1	32	63	43.8	8

The length L and the longitudinal compensation  $\Delta L$  is application specific and is limited by the assembly type and maximum speed.

Higher speeds are available on request.