

# tZLE800

## STANDARD INTERMEDIATE BEARING



### DESCRIPTION

The tZLE800 intermediate bearing bears the support loads, thereby reducing the loading on the rest of the test bed. The high quality bearings used guarantee precise running. The exchangeable flanges of the tZLE800 intermediate bearing allow direct coupling of multiple shaft types from the t700 series, and couplings from the t600 and t1000 series, without further adaptation. The modular design allows the intermediate bearing to be tailored to individual customer requirements.

### NAMING

The product is named according to the following convention:

**tZLE800-CVxx**  
└───┬───┘ joint size  
└───┬───┘ product name

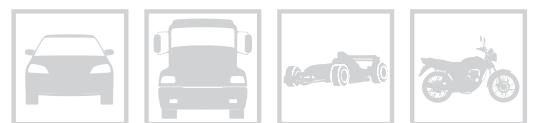
*Example: tZLE800-CV15*

### OPERATING RANGE

Torque: up to 450 Nm  
Speed: up to 20000 rpm

### BENEFITS

- high speed
- precise running
- reduced stress on unit under test and dynamometer
- exchangeable flanges for different CV-shaft sizes and coupling types
- permanently lubricated bearing
- integrated temperature measurement points



Exclusive Representative in Japan

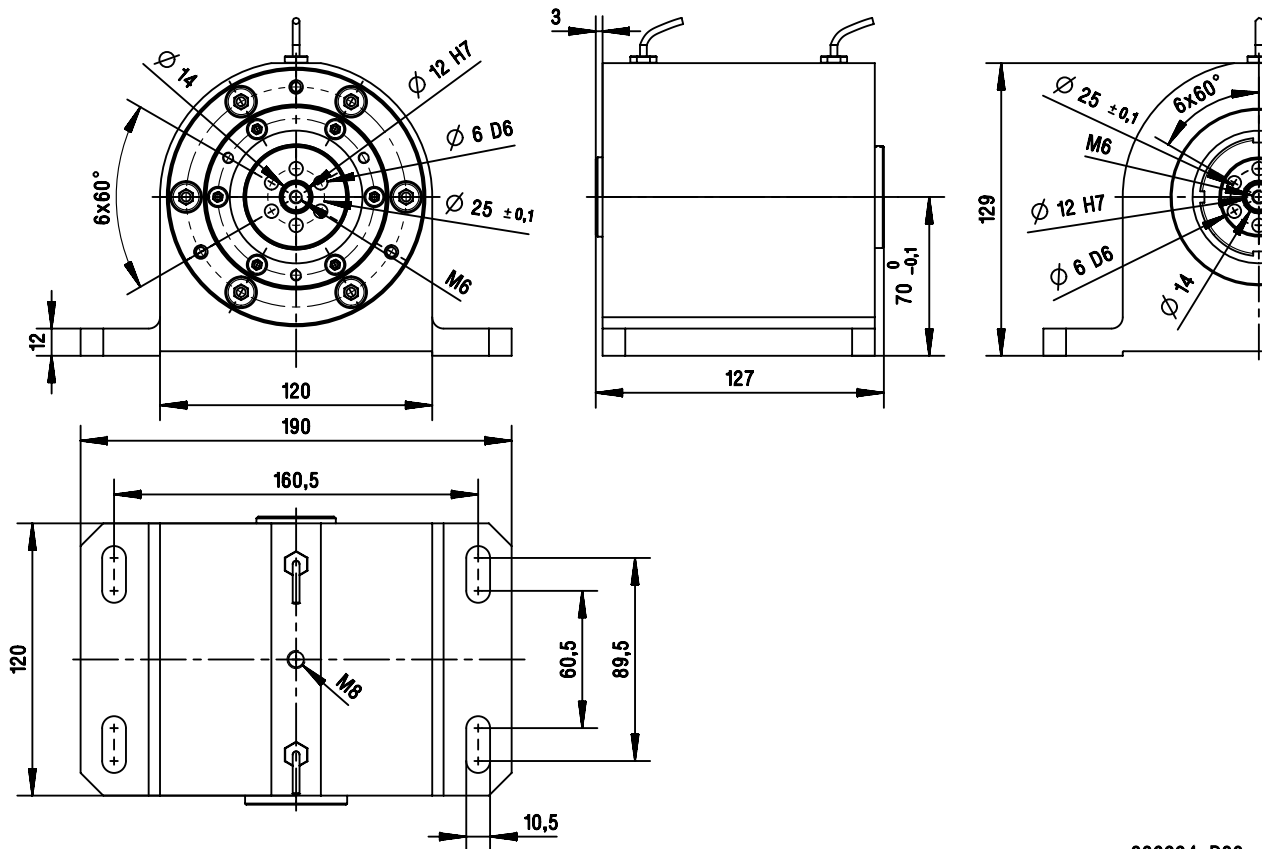
 TOKYO PLANT Co., Ltd.  
東京プラント株式会社

515-5 Miyazawa-cho, Akishima city, Tokyo, Japan 196-0024  
TEL: +81-42-546-6500 FAX: +81-42-546-6600  
Email: sales@tokyo-plant.co.jp

# tZLE800

## STANDARD INTERMEDIATE BEARING

tZLE800		
Installed length	[mm]	127
Weight	[kg]	12.45
Maximum speed $n_{max}$	[rpm]	20000
Inertia	[kgm <sup>2</sup> ]	3.73E-04
Minimum operating temperature	[°C]	-30
Maximum operating temperature	[°C]	+60



006224-R00

2018-01-18 <83d28b620ab81735e4ea81a4444105309452f4d1> DS EN 06