

tZLE900

HIGH-SPEED INTERMEDIATE BEARING



DESCRIPTION

The tZLE900 intermediate bearing bears the support loads, thereby reducing the loading on the rest of the test bed. The high quality spindle bearings used guarantee precise running up to very high speeds. The customer-specific exchangeable adapter allows the use of several shaft types from the t700 series and couplings from the t600 and t1000 series without further modification. The modular design allows the intermediate bearing to be tailored to individual customer requirements.

OPERATING RANGE

Torque: up to 1000 Nm
Speed: up to 20000 rpm

BENEFITS

- very high speeds
- precise running
- reduced stress on unit under test and dynamometer
- permanently lubricated bearing
- integrated temperature measurement points



Exclusive Representative in Japan

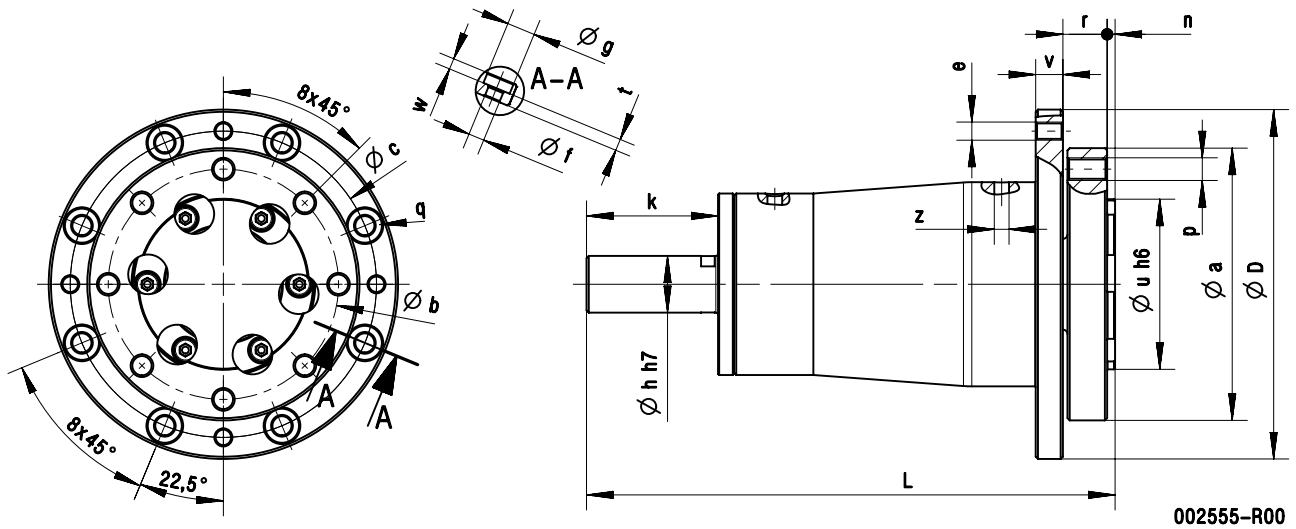
 TOKYO PLANT Co., Ltd.
東京プラント株式会社

515-5 Miyazawa-cho, Akishima city, Tokyo, Japan 196-0024
TEL: +81-42-546-6500 FAX: +81-42-546-6600
Email: sales@tokyo-plant.co.jp

tZLE900

HIGH-SPEED INTERMEDIATE BEARING

tZLE900		
Maximum torque	[Nm]	1000
Maximum speed	[rpm]	20000
Inertia	[kgm ²]	2.75E-03
Mass	[kg]	8.33



Intermediate bearing	D	L	a	b	c	e	f	g	h	k	n	p	q	r	t	u	v	w	z
	[mm]	[mm]	[mm]	[mm]	[mm]	[-]	[mm]	[mm]	[mm]	[mm]	[mm]	[-]	[-]	[mm]	[mm]	[mm]	[mm]	[mm]	[mm]
tZLE900	154	233	120	101.5	135	M8	8.4	15	25	58	3.5	M10	M13	19.5	6.2	75	12	5.8	6.5

Other dimensions available on request

2018-01-18 <04741b6ad77b1833fd88f19f5d2f43ecacf325df> DS EN 10